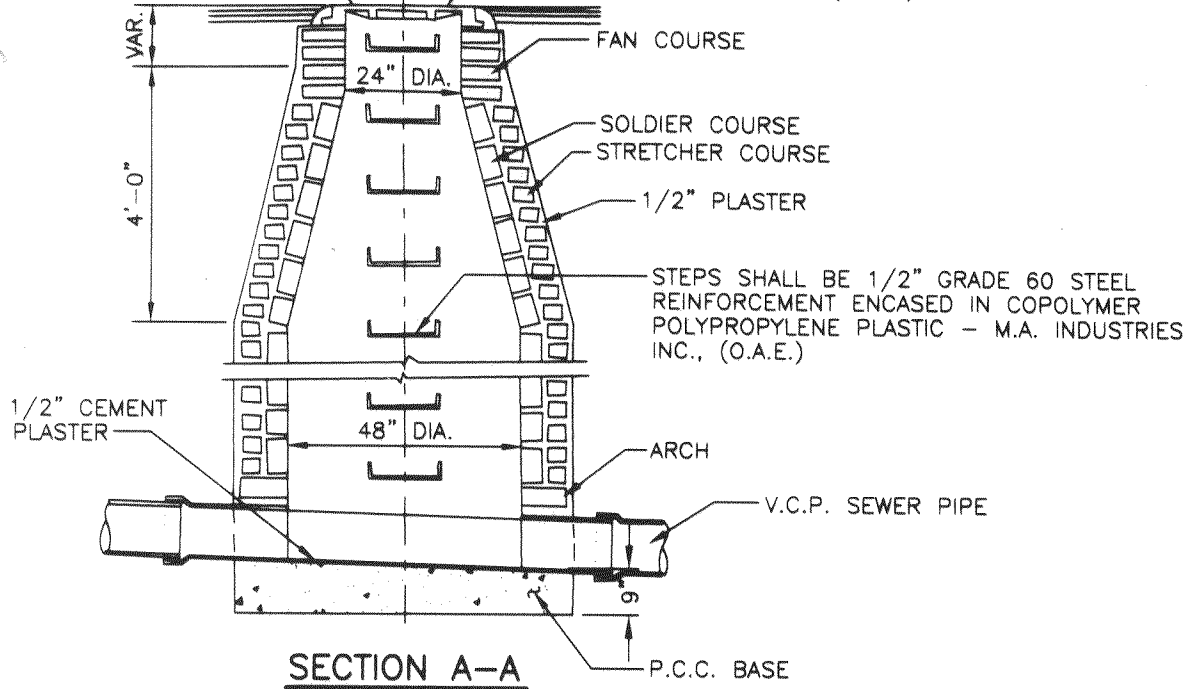
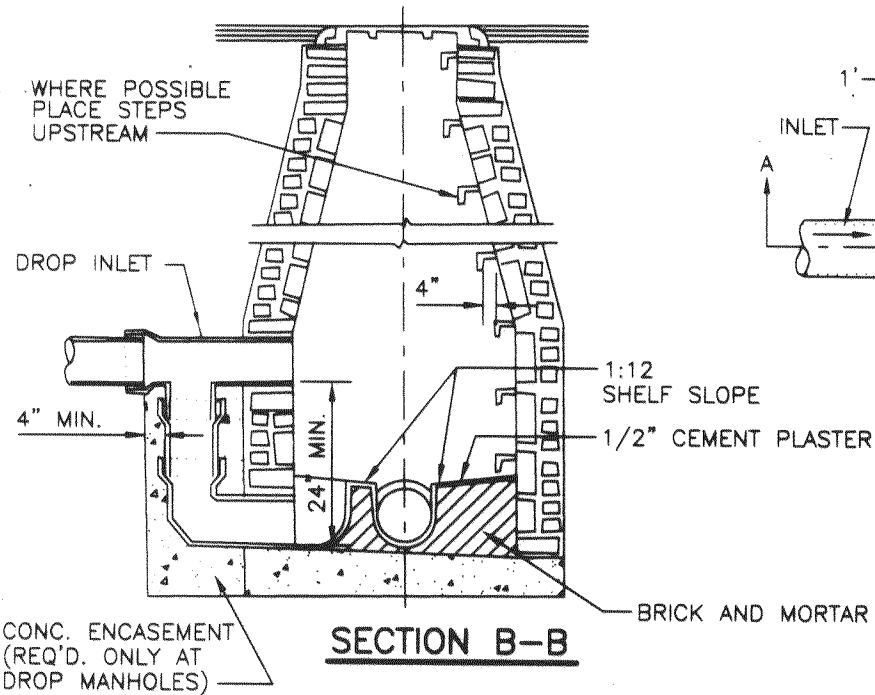


COVER MARKED 'SEWER'

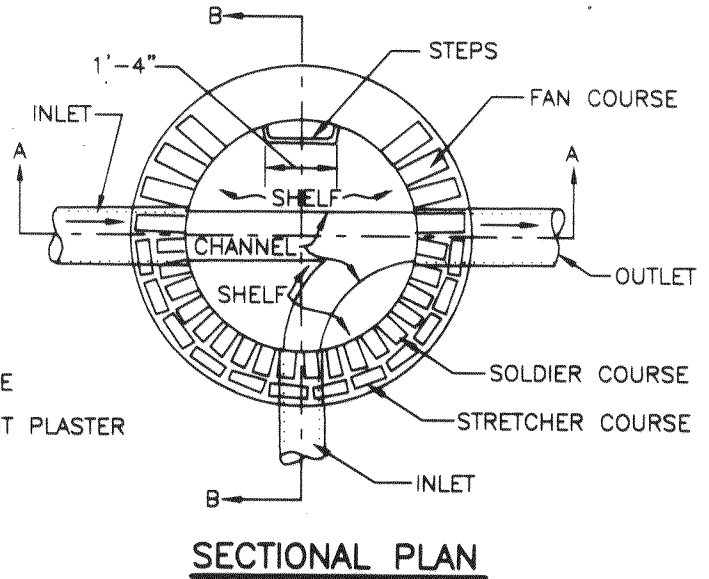
ALHAMBRA FOUNDRY C.I. MANHOLE FRAME AND COVER NO. A-1254 (O.A.E.)



SECTION A-A



SECTION B-B



SECTIONAL PLAN



DEPARTMENT OF PUBLIC WORKS

STANDARD DRAWING:

STANDARD BRICK MANHOLE

APPROVED:

Ben Berwick

CITY OF LA VERNE

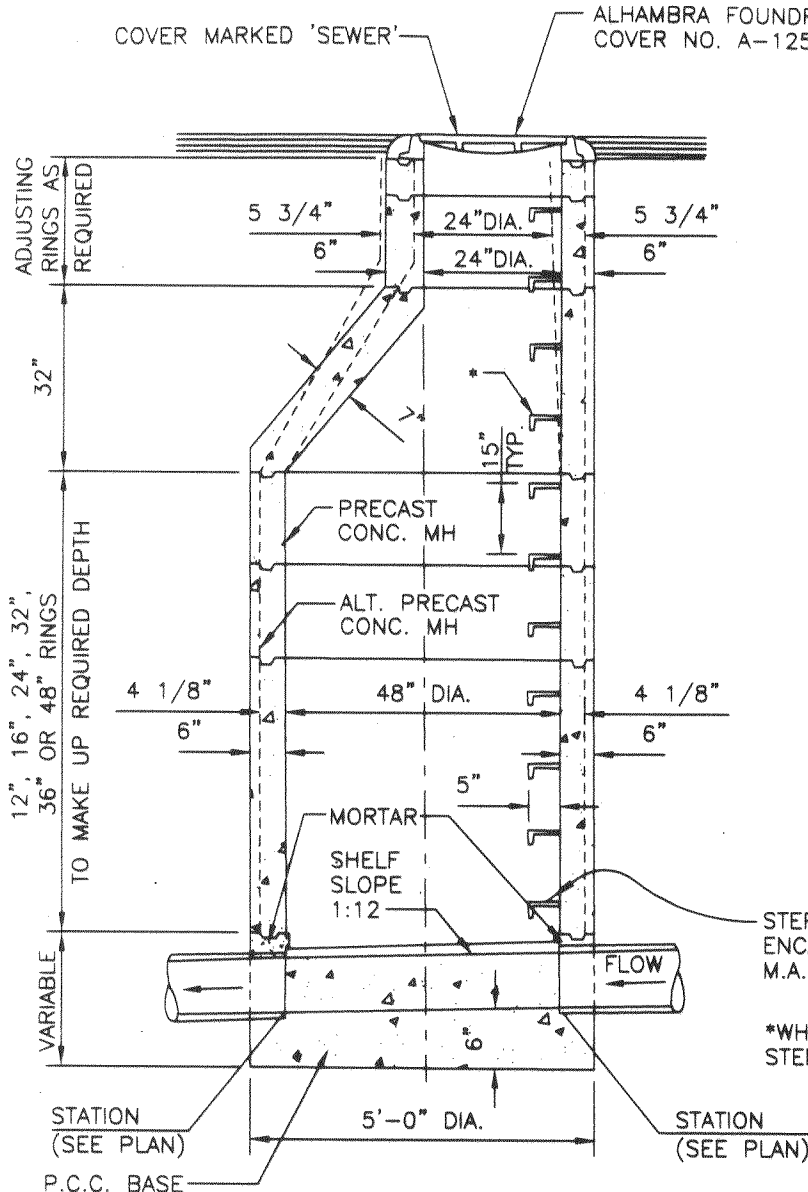
ENGINEER

4/30/97
DATE

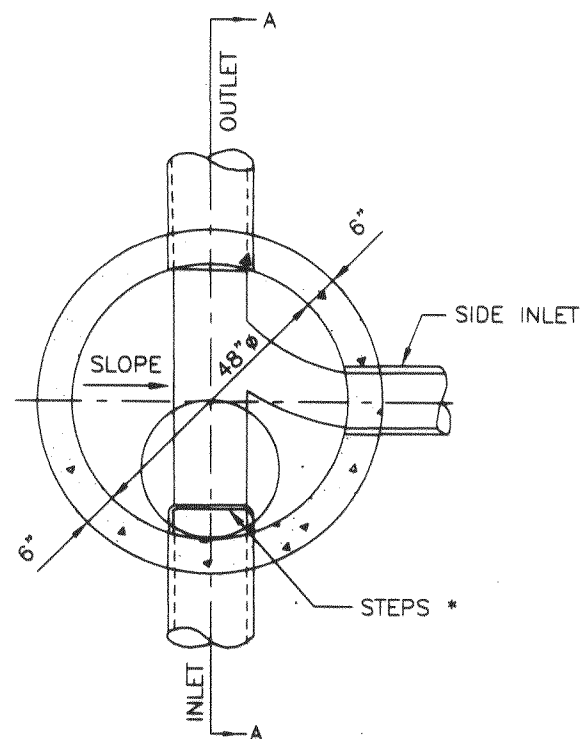
43296
RCE No.

4/15/97
DATE

	BY	DATE
DESIGNED	W.D.B.	4/97
DRAWN	C.G.	4/97
CHECKED	W.D.B.	4/97
SCALE:	DWG. No.	
AS SHOWN	S-1	
DATE OF REVISION:	APRIL 1997	
	SHT. 1 OF 1	



SECTION A-A



SECTIONAL PLAN

STEPS SHALL BE 1/2" GRADE 60 REINFORCEMENT ENCASED IN COPOLYMER POLYPROPYLENE PLASTIC - M.A. INDUSTRIES INC., (O.A.E.)

*WHERE POSSIBLE PLACE STEPS UPSTREAM



DEPARTMENT OF PUBLIC WORKS

STANDARD DRAWING:

STANDARD PRECAST CONCRETE MANHOLE

APPROVED:

Boni Bonura
CITY OF LA VERNE

4/30/97
DATE

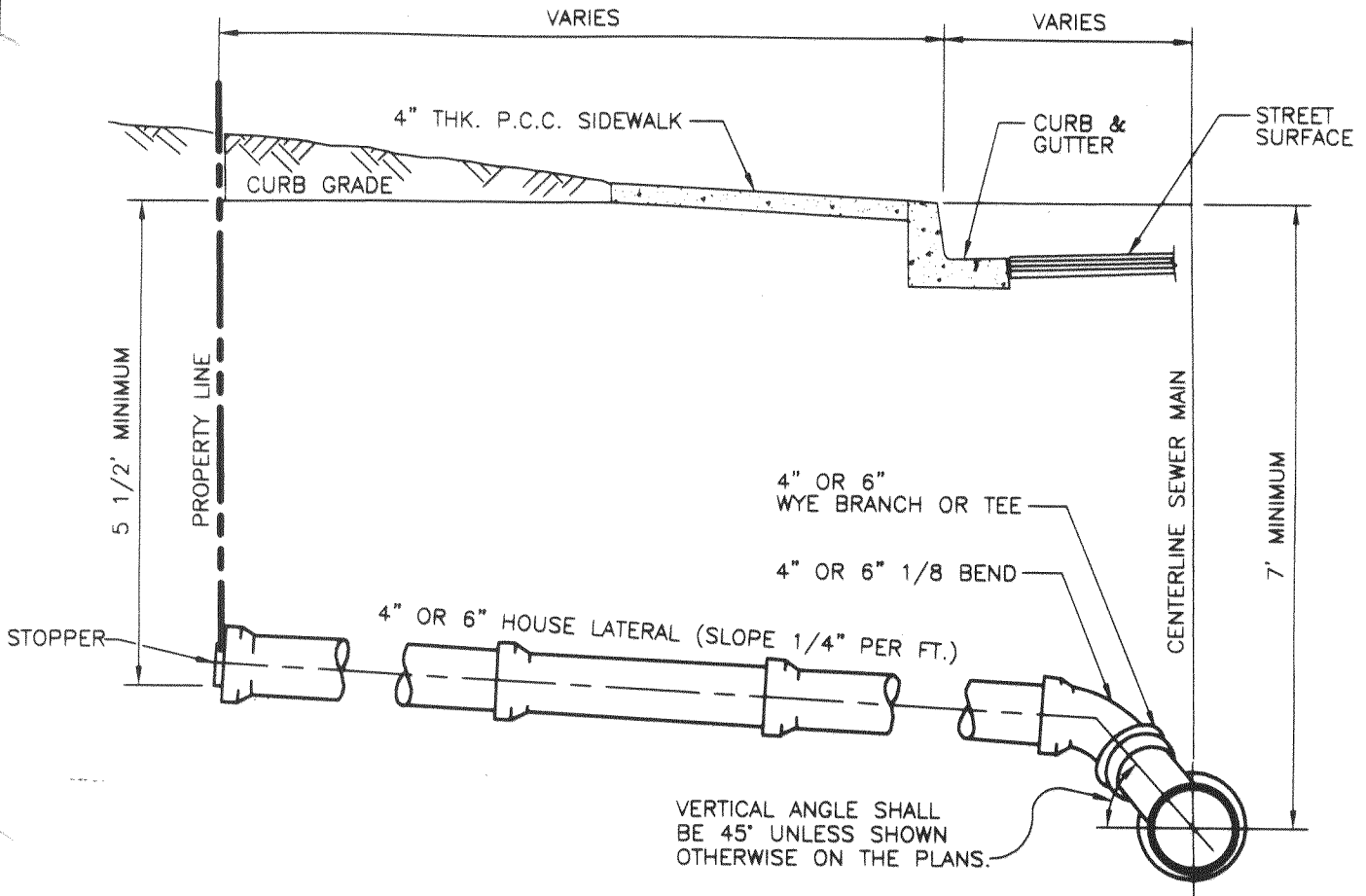
[Signature]
ENGINEER

43296
RCE No.

4/15/97
DATE

	BY	DATE
DESIGNED	W.D.B.	4/97
DRAWN	C.G.	4/97
CHECKED	W.D.B.	4/97

SCALE:	DWG. No.
AS SHOWN	S-2
DATE OF REVISION:	
APRIL 1997	SHT. 1 OF 1



NOTE:

DEPTH OF SEWER MAIN SHALL BE SUCH THAT A 4-INCH LATERAL WILL HAVE A MINIMUM COVER OF 1-FOOT AT THE REAR PROPERTY LINE WITH A SLOPE OF NOT LESS THAN 2%.



DEPARTMENT OF PUBLIC WORKS

STANDARD DRAWING:

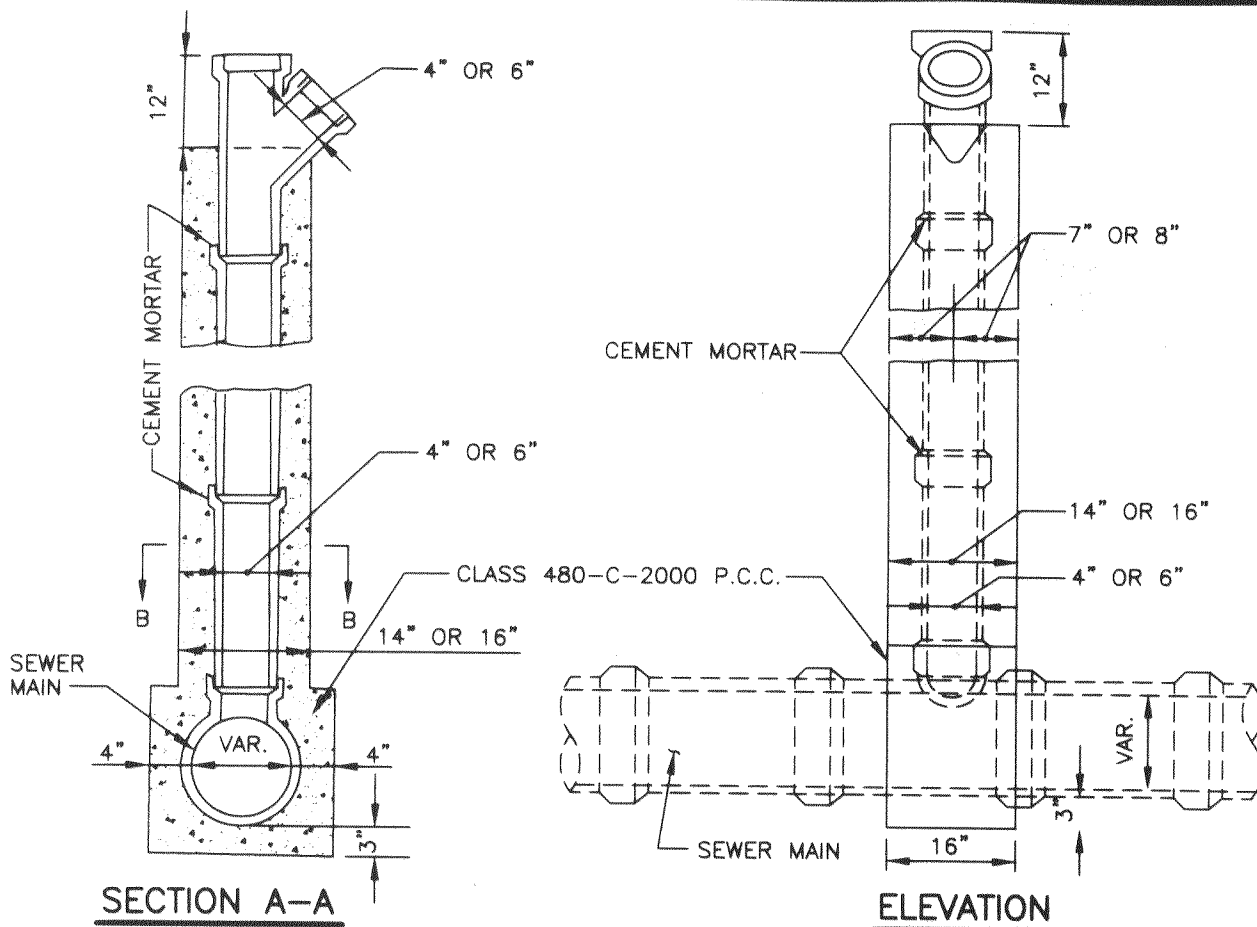
SEWER LATERAL

APPROVED:

Rai B... 4/30/97
CITY OF LA VERNE DATE

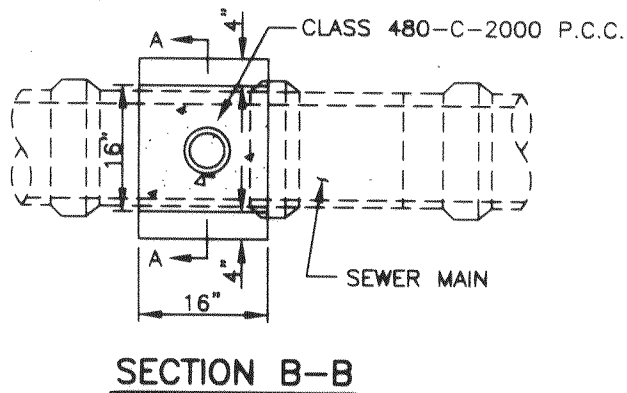
W. S. ... 4/15/97
ENGINEER RCE No. DATE

	BY	DATE
DESIGNED	W.D.B.	4/97
DRAWN	C.G.	4/97
CHECKED	W.D.B.	4/97
SCALE:	DWG. No.	
AS SHOWN	S-3	
DATE OF REVISION:	APRIL 1997	
	SHT. 1 OF 1	



NOTES:

1. THE UPPER END OF THE CHIMNEY PIPE SHALL BE 8 FEET BELOW THE GRADE OF THE LOWEST CURB, UNLESS OTHERWISE SPECIFIED.
2. WHERE TWO HOUSE CONNECTIONS ARE TO BE JOINED TO THE CHIMNEY PIPE, USE A SINGLE 'Y' BRANCH. WHERE TWO HOUSE CONNECTIONS ARE TO BE JOINED TO THE CHIMNEY PIPE, USE A SINGLE 'Y' BRANCH. WHERE THREE HOUSE CONNECTIONS ARE TO BE JOINED, USE A DOUBLE 'Y' BRANCH.
3. WHERE THE CHIMNEY PIPE IS TO BE USED FOR A SINGLE HOUSE CONNECTION, FACE 'Y' TOWARD PROPERTY TO BE SERVED; WHERE USED FOR HOUSE CONNECTIONS ON BOTH SIDES OF THE SEWER, THE HOUSE CONNECTION ON THE RIGHT SIDE OF THE SEWER (LOOKING UP GRADE) SHALL BE CONNECTED TO THE 'Y' BRANCH BY A 1/8 BEND AND THE HOUSE CONNECTION ON THE LEFT SIDE SHALL BE CONNECTED TO THE UPPER END OF THE CHIMNEY BY A 4" OR 6" 1/4 BEND UNLESS OTHERWISE SPECIFIED.



DEPARTMENT OF PUBLIC WORKS

STANDARD DRAWING:

STANDARD CHIMNEY PIPE

APPROVED:

Boris B... 4/30/97
CITY OF LA VERNE

ENGINEER

43296
RCE No.

DATE

4/15/97
DATE

	BY	DATE
DESIGNED	W.D.B.	4/97
DRAWN	C.G.	4/97
CHECKED	W.D.B.	4/97
SCALE: AS SHOWN	DWG. No.	S-4
DATE OF REVISION: APRIL 1997		SHT. 1 of 1

